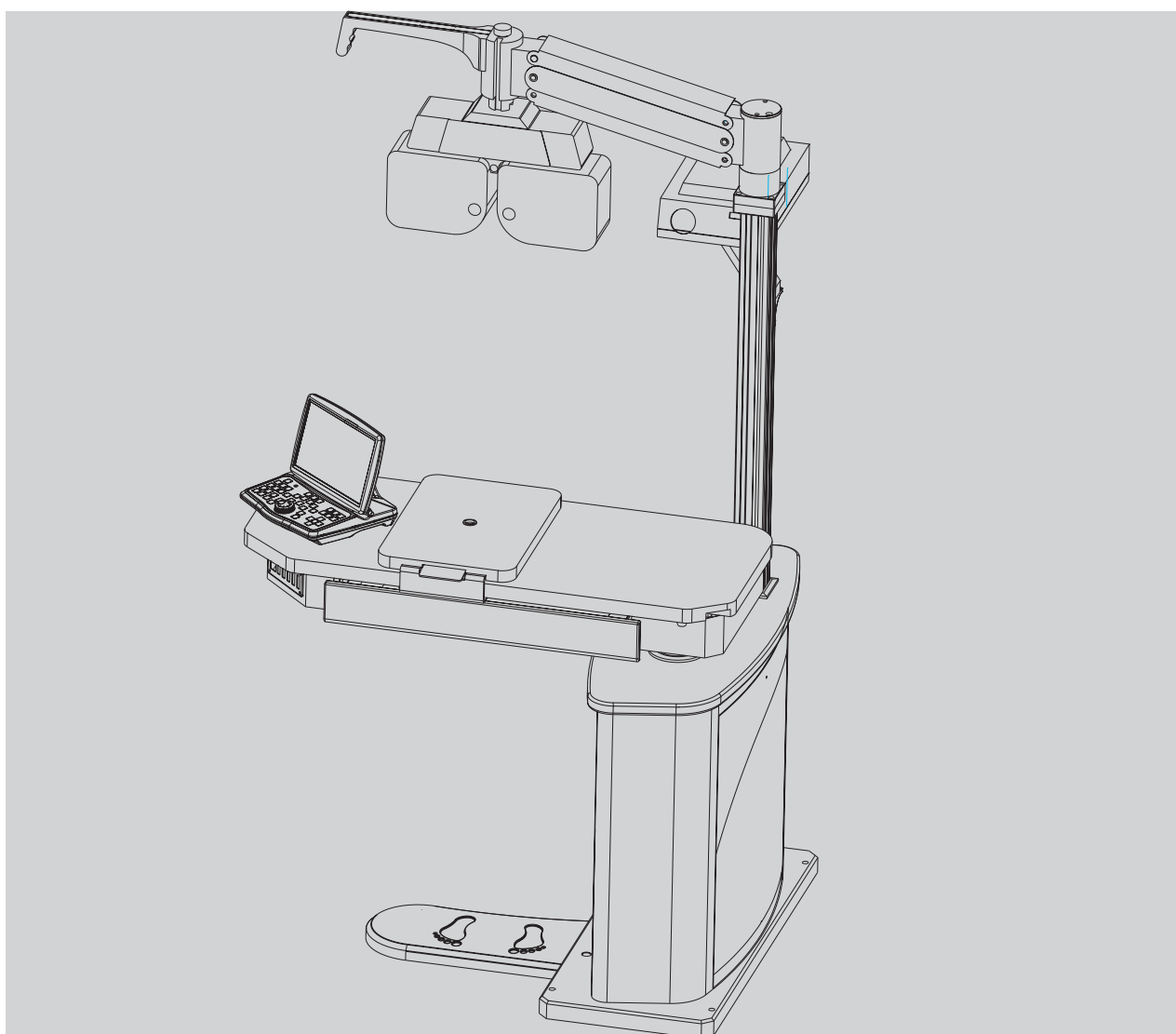


SCIENCETERA

OPHTHALMIC UNIT

TSRT 400



SCIENCETERA

Components

Part List

PARTS NAME	Q'TY	PICTURE	PARTS NAME	Q'TY	PICTURE
SET SCREW (M5)	2		L WRENCH (M2.5)	1	
FLAT HEAD SCREW (M6X16)	4		L WRENCH (M4)	1	
SCREW (M6)	4		L WRENCH (M6)	1	
HEXAGON SOCKET HEAD SCREW (M10X25)	8		L WRENCH (M8)	1	
HEXAGON SOCKET HEAD SCREW (M8X25)	4		POWER CABLE	1	
CP Cradle	1		LOCATION CONVERSE POLE	1	

This manual is used for reference and designs and details can be changed without prior for its improvements.

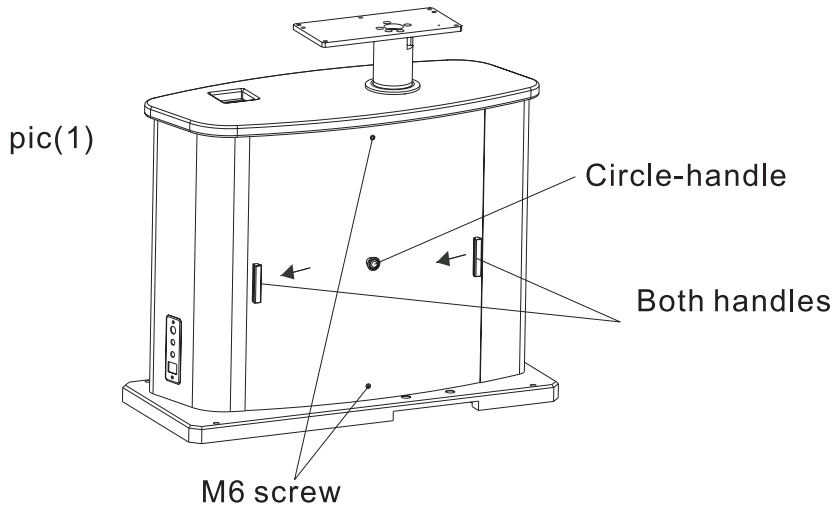
Notice : Clear the table with wax.

SCIENCETERA

1. Uninstallation of the right cover

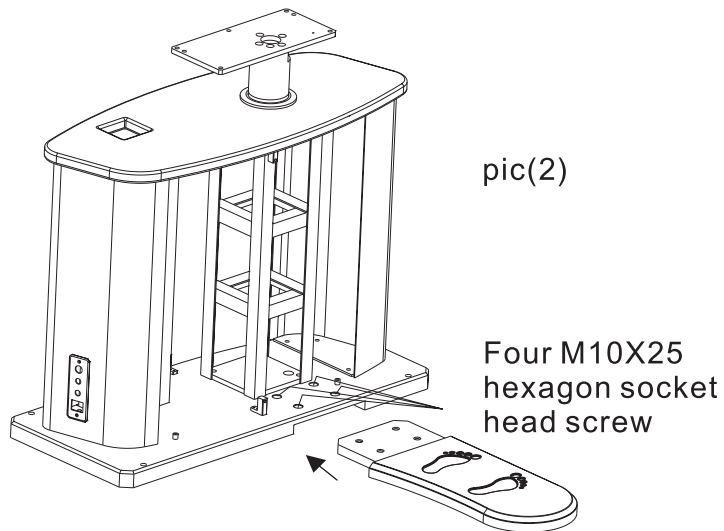
Unscrew the two M6 screw on the right side of product.

After that grab the both handles, and push them in the direction of arrows. Finally the cover can be removed by pulling the circle-handle.



2. Installation of footing

Insert the footing into the hole of bottom board and screw four M10X25 screw into each hole of four corners.

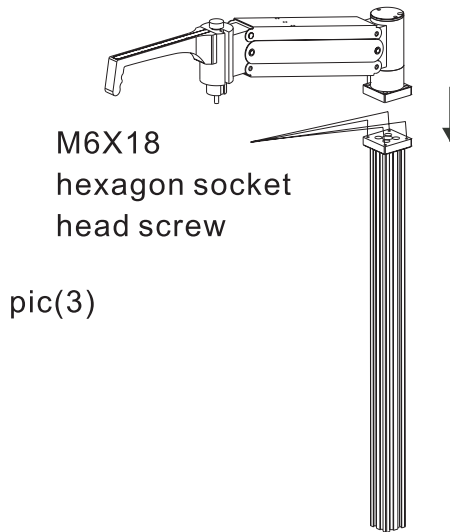


SCIENCETERA

3. Installation of the Phorofter arm

Locate the Phorofter arm in the direction of arrow, reference pic(3) on the square-column.

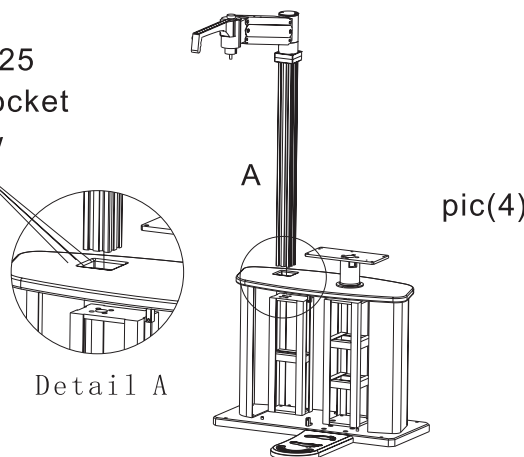
After that screw the four M6X18 hexagon socket head screw into the each hole of four corners.



4. Installation of Combination of Phorofter arm and square column.

- 1) Insert the power cable of square column into the center hole of support plate.
- 2) Setup the directions of square column and the support plate referring the arrow mark described on the product.
- 3) Screw the four M10X25 screws into the each hole of four corners.
- 4) Insert the power cable(passing through the center hole) into the out put of table.

Four M10X25
hexagon socket
head screw

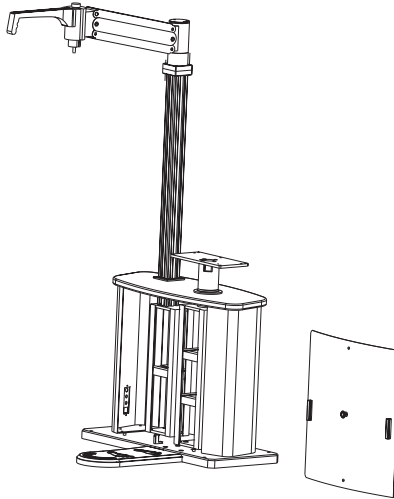


SCIENCETERA

5. Installation of the right cover.

- 1) Adjust the grooved aspect of right cover into the hole of th body.
(Reference pic(5))
- 2) Set the right cover up in the opposite way of removal. (First-operation)
- 3) Set the screw into the holes.

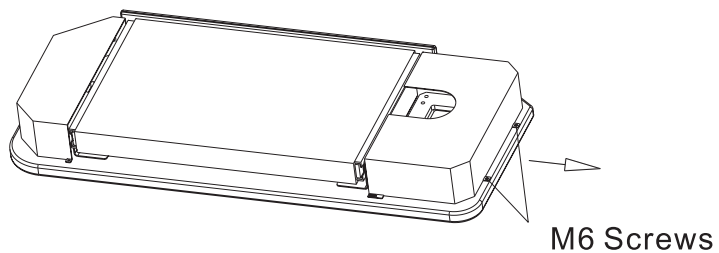
pic(5)



6. Uninstallation of the table cover

- 1) Unscrew the two M6 screws with the reference of pic(6)
- 2) Push the cover out in the direction of arrow.

pic(6)

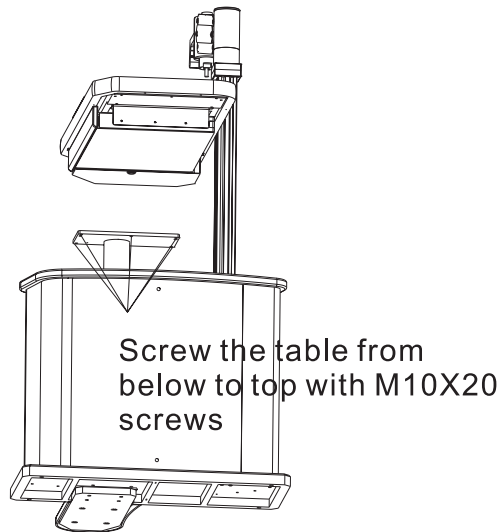


SCIENCETERA

7. Installation of the table plate

Screw the table plate with four M10X20 hexagon socket head screws, from down to top.

pic(7)

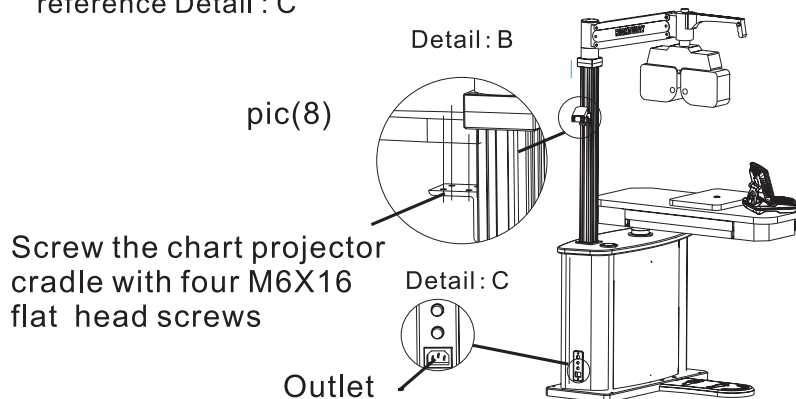


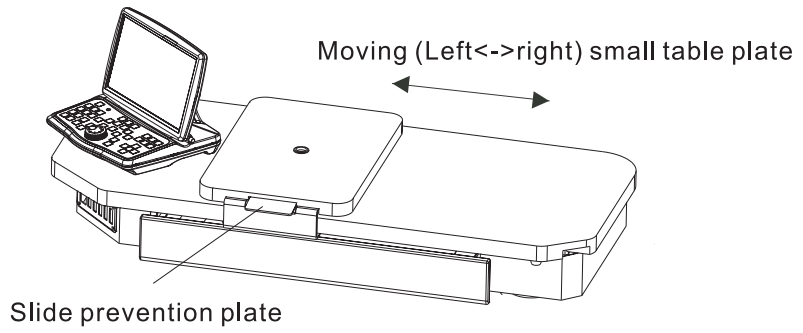
8. Installation of chart projector cradle

Screw the chart projector cradle with four M6X16 flat head screws, referring the pic(8)

9. Connecting the power cable

- 1) After connecting the power cable into the outlet with reference pic(8), the treatment table can be activated.
- 2) If there is electronic chair, it can be activated after plug in with reference Detail : C





SCIENCETERA CO.,Ltd
RM404, 1st Innoplex B/D, 371-47, Gasan-
dong, Geumchon-gu, Seoul, Korea 153-803
Tel: +82-2-6679-0120 Fax: +82-2-6679-0123
