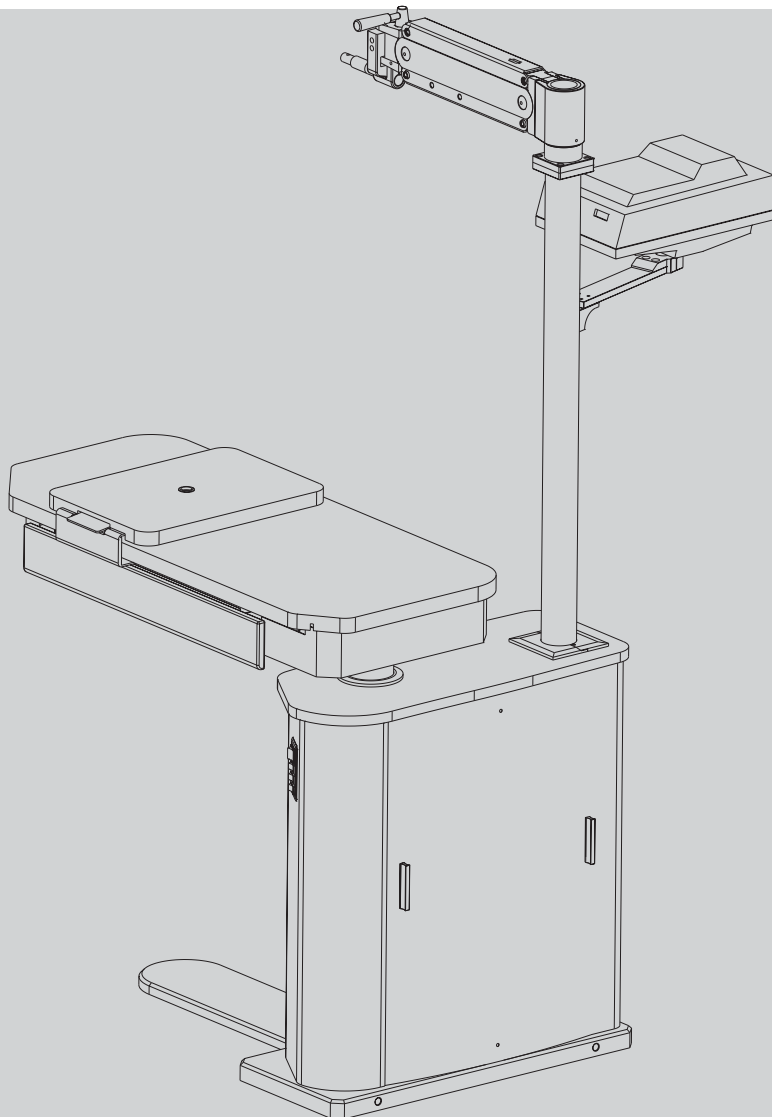


SCIENCETERA

OPHTHALMIC UNIT








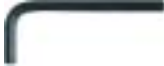


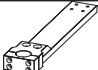

TSRT 500



SCIENCETERA

Components

Part List

PARTS NAME	Q'TY	PICTURE	PARTS NAME	Q'TY	PICTURE
SET SCREW (M5)	2		L WRENCH (M2.5)	1	
FLAT HEAD SCREW (M6X16)	4		L WRENCH (M4)	1	
HEXAGON SOCKET HEAD SCREW (M6)	6		L WRENCH (M6)	1	
HEXAGON SOCKET HEAD SCREW (M10X25)	11		L WRENCH (M10)	1	
HEXAGON SOCKET HEAD SCREW (M5X10)	2		POWER CABLE	1	
CP Cradle	1		LOCATION CONVERSE POLE	1	

This manual is used for reference and designs and details can be changed without prior for its improvements.

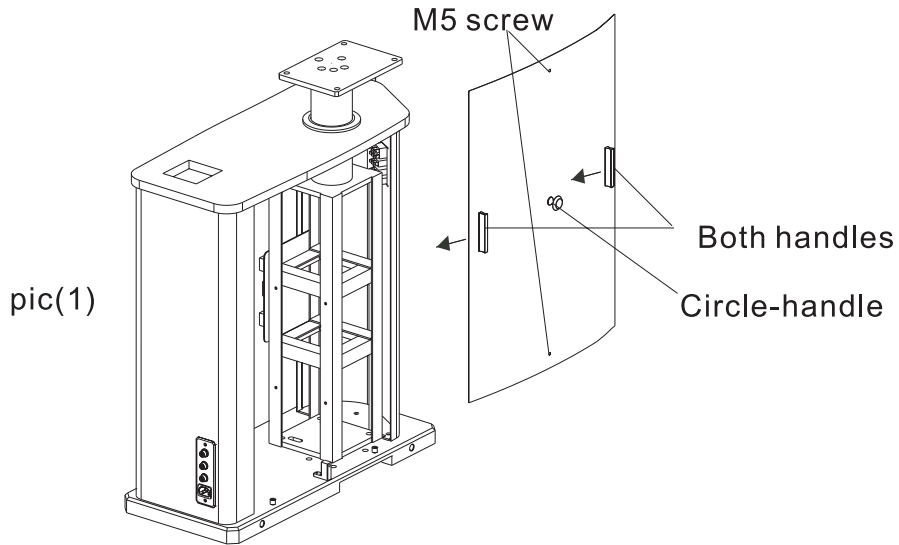
Notice : Clear the table with wax.

SCIENCETERA

1. Uninstallation of the right cover

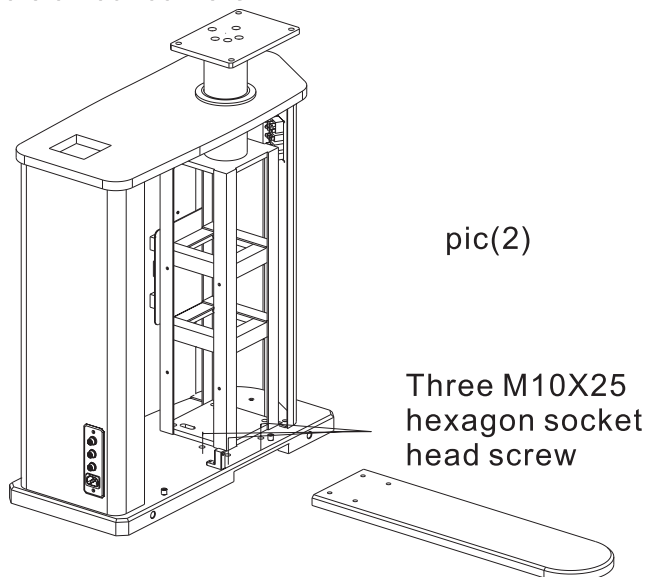
Unscrew the two M5 screw on the right side of product.

After that grab the both handles, and push them in the direction of arrows. Finally the cover can be removed by pulling the circle-handle.



2. Installation of footing

Insert the footing into the hole of bottom board and screw three M10X25 screw into each hole of four corners.

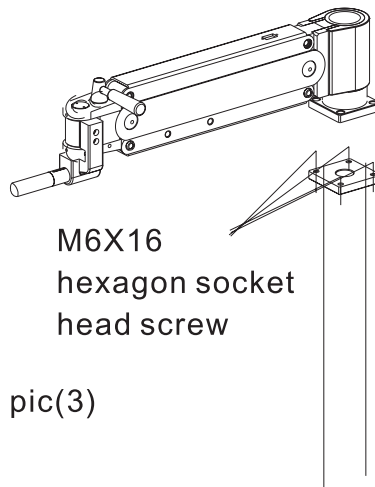


SCIENCETERA

3. Installation of the Phoropter arm

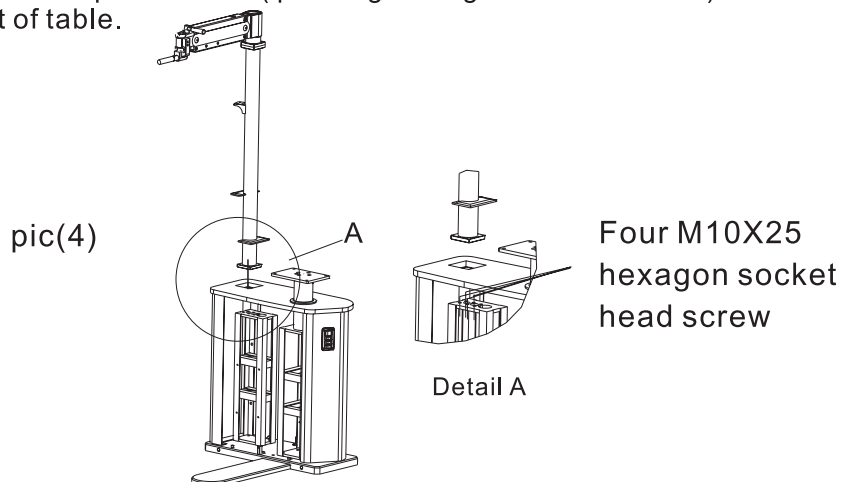
Locate the Phoropter arm in the direction of arrow, reference pic(3) on the square-column.

After that screw the four M6X18 hexagon socket head screw into the each hole of four corners.



4. Installation of Combination of Phoropter arm and square column.

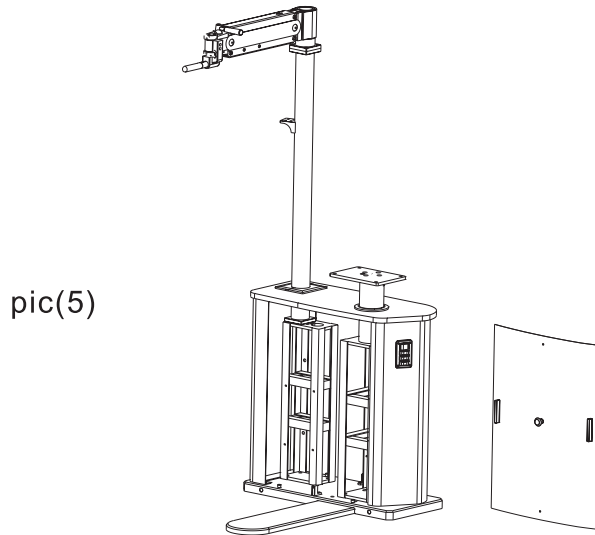
- 1) Insert the power cable of square column into the center hole of support plate.
- 2) Setup the directions of square column and the support plate referring the arrow mark described on the product.
- 3) Screw the four M10X25 screws into the each hole of four corners.
- 4) Insert the power cable(passing through the center hole) into the out put of table.



SCIENCETERA

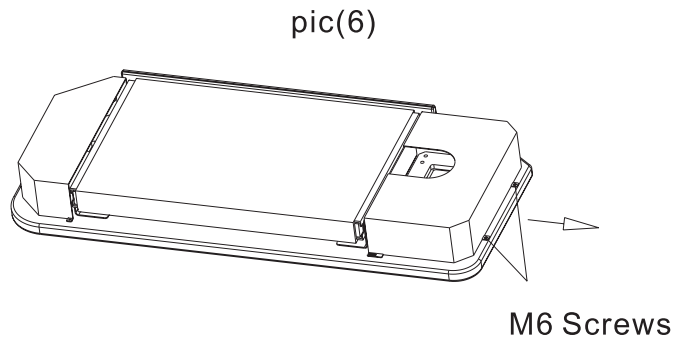
5. Installation of the right cover.

- 1) Adjust the grooved aspect of right cover into the hole of th body.
(Reference pic (5))
- 2) Set the right cover up in the opposite way of removal. (First-operation)
- 3) Set the screw into the holes.



6. Uninstallation of the table cover

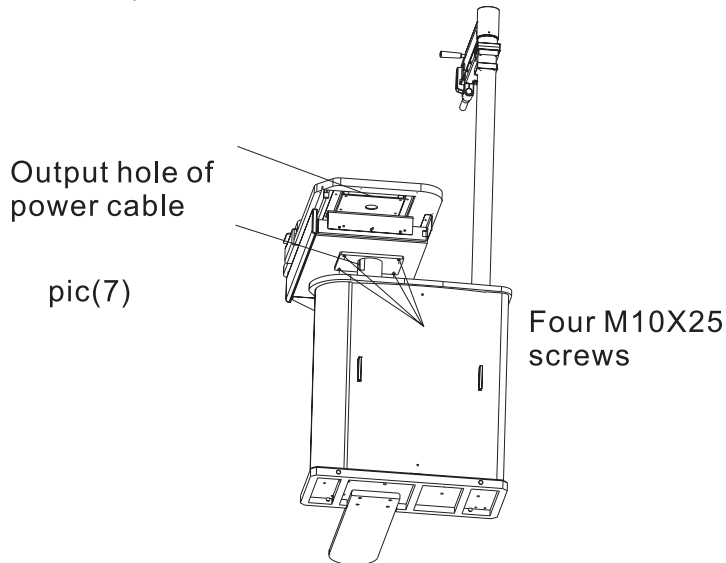
- 1) Unscrew the two M6 screws with the reference of pic (6)
- 2) Push the cover out in the direction of arrow.



SCIENCETERA

7. Installation of the table plate

Screw the table plate with four M10X25 hexagon socket head screws, from down to top.

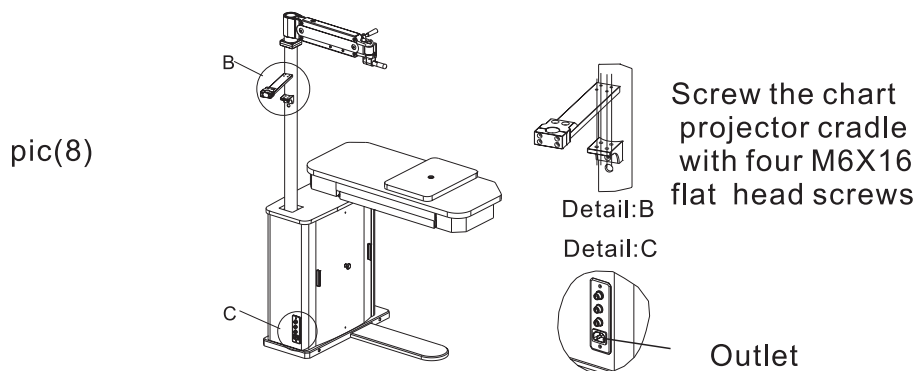


8. Installation of chart projector cradle

Screw the chart projector cradle with four M6X16 flat head screws. referring the pic(8)

9. Connecting the power cable

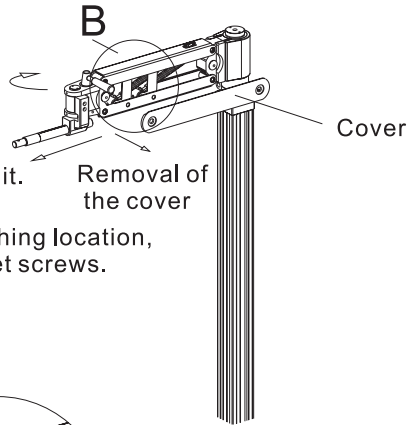
- 1) After connecting the power cable into the outlet with reference pic(8), the treatment table can be activated.
- 2) If there is electronic chair, it can be activated after plug in with reference Detail : C



10. Installation of the pole switching location

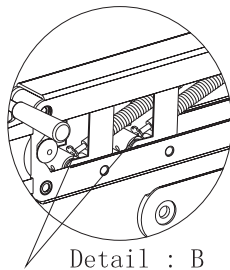
- 1) Insert the pole in the direction of way with reference, pic (9)
- 2) Lock up the pole using the two M5 set screws.
- 3) For the setup of Phorofter, screw the pole with the M5X20 hexagon socket head screw.(Notice : Finish this procedure with pushing down the Phorofter arm)
- 4) The handle is used for the control, locking up and rotate of Phorofter arm.
- 5) The cover of phorofter arm can be removed, and the intensity of spring can be controlled by using the inner screw.

The Phorofter arm can be moved up and down by using the handle.
The Phorofter arm can be locked up when the handle is at right angle with it.



Removal of the cover

After inserting of the pole switching location, screw the both sides with M5 set screws.



Detail : B

Inner screw can control the intensity of spring

pic(9)